



SECRET JOURNAL

SKU: 578499

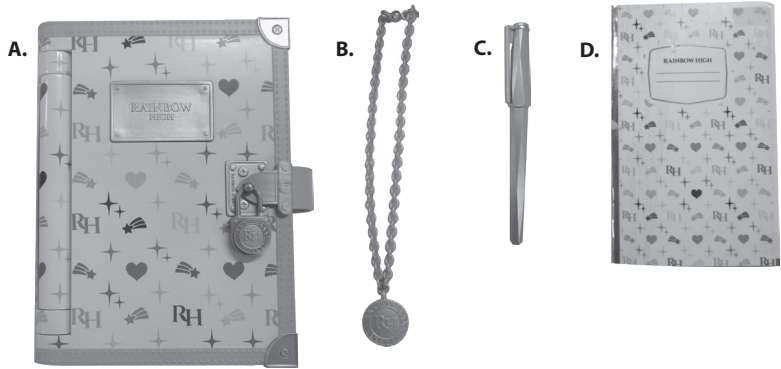
Age 6+

WARNING:
CHOKING HAZARD-Small parts,
Not for children under 3 years.

ADULT SUPERVISION RECOMMENDED
ADULT BATTERY INSTALLATION REQUIRED

CONTENTS

- A. Journal with Padlock
- B. Charm Necklace
- C. Pen
- D. Activity Booklet

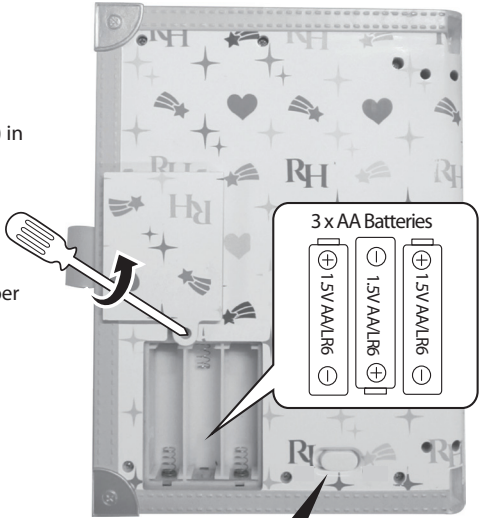


Illustrations are for reference only. Styles may vary from actual contents.
Please remove all packaging including tags, ties & tacking stitches before giving this product to a child.

BEFORE YOU BEGIN

An adult must install fresh alkaline batteries (not included) in your journal prior to playing. Here's how:

1. Using a Phillips screwdriver (not included), remove the screw and battery compartment cover located on the back of the journal.
2. Install three (3) AA alkaline batteries (not included) into the journal. Make sure the (+) and (-) ends face the proper direction as indicated inside the battery compartment.
3. Replace the compartment cover and tighten the screw.



TURN ON THE JOURNAL

Move the switch on the back of the journal from the OFF position (O) to the ON position (I).



Please keep this manual as it contains important information.



0921-0-E/INT
Printed in China

WWW.RAINBOWHIGH.COM
©2021 MGA Entertainment, Inc.
RAINBOW HIGH™ is a trademark of MGA in the U.S. and other countries. All logos, names, characters, likenesses, images, slogans, and packaging appearance are the property of MGA.

The preferred method of contact for Customer Service is through our e-mail contact form at www.mgae.com

#COLLECTTHERAINBOW  

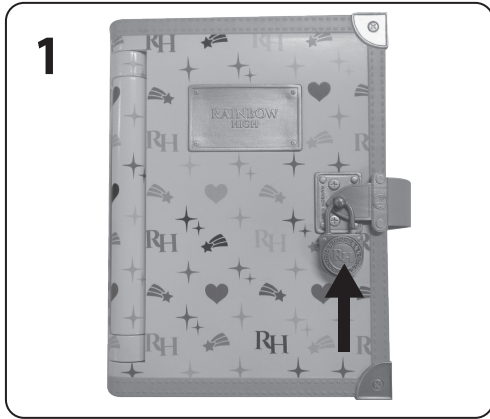
MGA Entertainment, Inc.
9220 Winnetka Ave. Chatsworth, CA 91311
U.S.A.
(800) 222-4685

MGA Entertainment UK Ltd.
50 Presley Way, Crownhill, Milton Keynes,
MK8 0ES, Bucks, UK
+ 0800 521 558

MGA Entertainment (Netherlands) B.V.
Baronie 68-70, 2404 XG Alphen a/d Rijn,
The Netherlands
Tel: +31 (0) 172 758038

Imported by MGA Entertainment Australia Pty Ltd.
Suite 2.02, 32 Delhi Road
Macquarie Park NSW 2113
1300 059 676

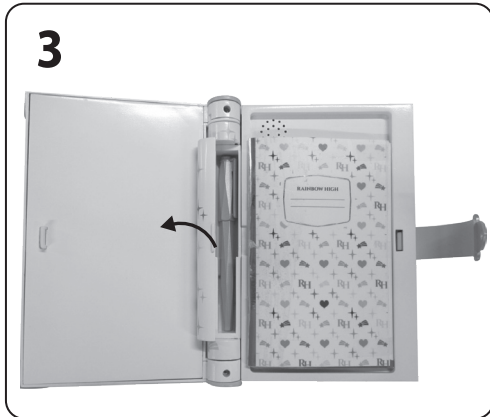
QUICK START



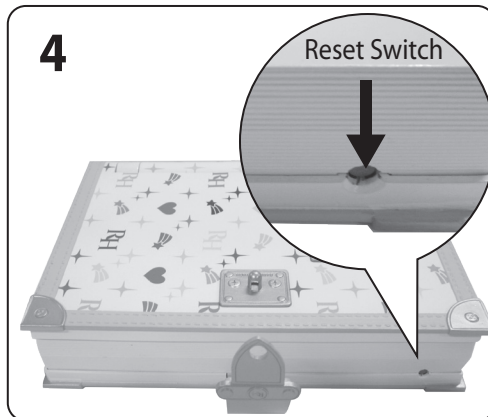
1 Place the journal on a flat surface and away from your face. Press the button on the middle of the padlock to remove it.



2 Unhook the strap on the journal. Then, slide the necklace's charm over the logo on the front of the journal. Short music will start to play once it is unlocked.



3 Slide the compartment in the middle of the journal to store the pen. Store the activity booklet inside the journal.



4 Should you misplace the charm necklace, a reset switch is located on the side panel of the journal. Use a dull object, like a paper clip, to press the button and the journal will open.

IMPORTANT INFORMATION

- Marker pen cannot be erased from the booklet after writing in it. Use a pencil and erase your messages to do the activities in the booklet again.
- Recap the marker pen after using.
- DO NOT leave the marker pen in the sun or in very hot areas.
- Wash hands thoroughly after using the marker pen. DO NOT write on skin, furniture, etc.
- Do not use marker pen on other surfaces as it may not be completely removable.
- Keep the marker pen away from eyes.
- Always turn the journal "OFF" (O) after playing to conserve battery life.
- Do not use abrasive cleaners or harsh chemicals when cleaning the journal.

SAFE BATTERY USAGE

- Use alkaline batteries for best performance and longer life.
- Use only the battery type recommended for the unit.
- Batteries should be replaced only by an adult.
- Insert batteries with the correct polarity (+ and -).
- Do not mix old and new batteries.
- Do not mix alkaline, standard (carbon-zinc), or rechargeable batteries.
- Do not short-circuit batteries.
- When not used for an extended time, remove batteries to prevent possible leakage and damage to the unit.
- Do not mix rechargeable and non-rechargeable batteries.
- Rechargeable batteries are to be removed from the toy before charging.
- Rechargeable batteries are to be recharged only under adult supervision.
- Do not recharge non-rechargeable batteries.
- Exhausted batteries are to be removed from the toy.
- Do not dispose of batteries in fire as they may leak or explode.

FCC COMPLIANCE

NOTE: This equipment has been tested and found to comply with the limits for a Class B digital device, pursuant to Part 15 of the FCC Rules. These limits are designed to provide reasonable protection against harmful interference in a residential installation. This equipment generates, uses and can radiate radio frequency energy and, if not installed and used in accordance with the instructions, may cause harmful interference to radio communications. However, there is no guarantee that interference will not occur in a particular installation. If this equipment does cause harmful interference to radio or television reception, which can be determined by turning the equipment off and on, the user is encouraged to try to correct the interference by one or more of the following measures:

- Reorient or relocate the receiving antenna.
- Increase the separation between the equipment and receiver.
- Connect the equipment into an outlet on a circuit different from that to which the receiver is connected.
- Consult the dealer or an experienced radio/TV technician for help.

This device complies with Part 15 of the FCC Rules. Operation is subject to the following two conditions: (1) This device may not cause harmful interference, and (2) this device must accept any interference received, including interference that may cause undesired operation.

Caution: Modifications not authorized by the manufacturer may void users authority to operate this device. CAN ICES-3 (B)/NMB-3(B).



'Let's care for the environment!'

The wheeled bin symbol indicates that the product must not be disposed of with other household waste. Please use designated collection points or recycling facilities when disposing of the item. Do not treat old batteries as household waste. Take them to a designated recycling facility.