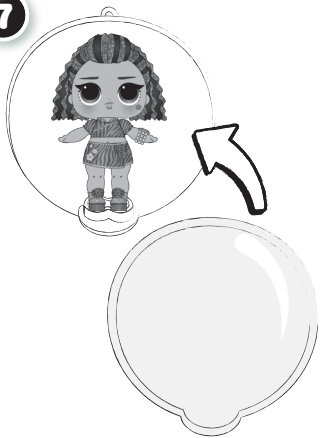
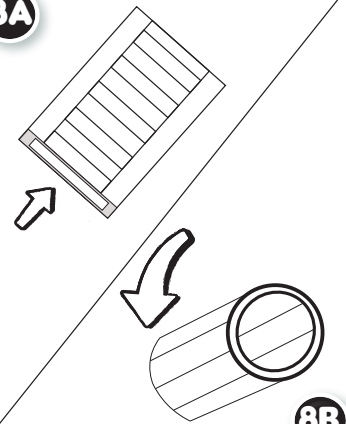


7

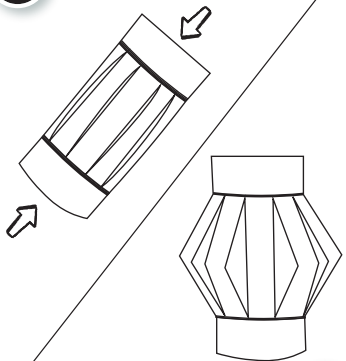


8A



8B

8C



8D

IMPORTANT INFORMATION

- Before beginning, cover the play area to protect from possible water damage.
- Your doll will spit and pet will pee.
- For best results, fill the bottle and feed the doll/pet two times.
- Do not place the doll/pet in extremely hot water.
- Do not feed the doll/pet extremely hot water.
- An adult must be present when children are playing with water.
- Do not store the doll/pet in direct sunlight for extended periods of time.
- Squeeze out all water from the bottle and the doll/pet after each use.
- Thoroughly drain the doll/pet on a dry towel in a well-ventilated area after use and before storing.
- Air dry only. Do not place in the dryer or subject to excessive heat.
- When displaying doll/pet inside the ball, insert doll/pet into the foot stand in an upright position. Then, slightly tilt the head back. Avoid using excessive force when tilting the doll's/pet's head.
- Pet must have shoes on to properly be placed into stand.
- Paper lantern: Remove plastic tabs over the adhesive on the edge of the sheet. Create a cylinder shape by rolling paper so that the end of the sheet with adhesive sticks to the end of sheet of paper without. Once the sheet edges are connected, gently push cylinder together. This will create creases on the slits of the lantern, allowing it to stand.
- Be creative and make your own handle and add it to the top opening of your lantern.



www.LOLsurprise.com
 ©2021 MGA Entertainment, Inc.
 L.O.L. SURPRISE!™ is a trademark of MGA in the U.S. and other countries. All logos, names, characters, likenesses, images, slogans, and packaging appearance are the property of MGA.

MGA Entertainment, Inc.
 9220 Winnetka Ave.
 Chatsworth, CA 91311 U.S.A.
 (800) 222-4685

MGA Entertainment UK Ltd.
 50 Presley Way, Crownhill
 Milton Keynes, MK8 0ES
 Bucks, UK
 + 0800 521 558

MGA Entertainment (Netherlands) B.V.
 Baronie 68-70, 2404 XG Alphen a/d Rijn
 The Netherlands
 Tel: +31 (0) 172 758 038

Imported by MGA Entertainment Australia Pty Ltd
 Suite 2.02, 32 Delhi Road, Macquarie Park NSW 2113
 1300 059 676

The preferred method of contact for Customer Service is through our e-mail contact form at www.mgae.com

Printed in China
 0721-0-E/INT

Please keep this manual as it contains important information. Illustrations are for reference only. Styles may vary from actual contents.



AGES 3+
 ADULT SUPERVISION REQUIRED
 EACH SOLD SEPARATELY
 SKUs: 581376, 581383, 579472,
 579489

WARNING:
 CHOKING HAZARD—Small parts.
 Not for children under 3 years.

