

FCC COMPLIANCE

NOTE: This equipment has been tested and found to comply with the limits for a Class B digital device, pursuant to Part 15 of the FCC Rules. These limits are designed to provide reasonable protection against harmful interference in a residential installation. This equipment generates, uses and can radiate radio frequency energy and, if not installed and used in accordance with the instructions, may cause harmful interference to radio communications. However, there is no guarantee that interference will not occur in a particular installation. If this equipment does cause harmful interference to radio or television reception, which can be determined by turning the equipment off and on, the user is encouraged to try to correct the interference by one or more of the following measures:

- Reorient or relocate the receiving antenna.
- Increase the separation between the equipment and receiver.
- Connect the equipment into an outlet on a circuit different from that to which the receiver is connected.
- Consult the dealer or an experienced radio/TV technician for help.

This device complies with Part 15 of the FCC Rules. Operation is subject to the following two conditions: (1) This device may not cause harmful interference, and (2) this device must accept any interference received, including interference that may cause undesired operation.

Caution: Modifications not authorized by the manufacturer may void users authority to operate this device.

CAN ICES-3 (B)/NMB-3(B).

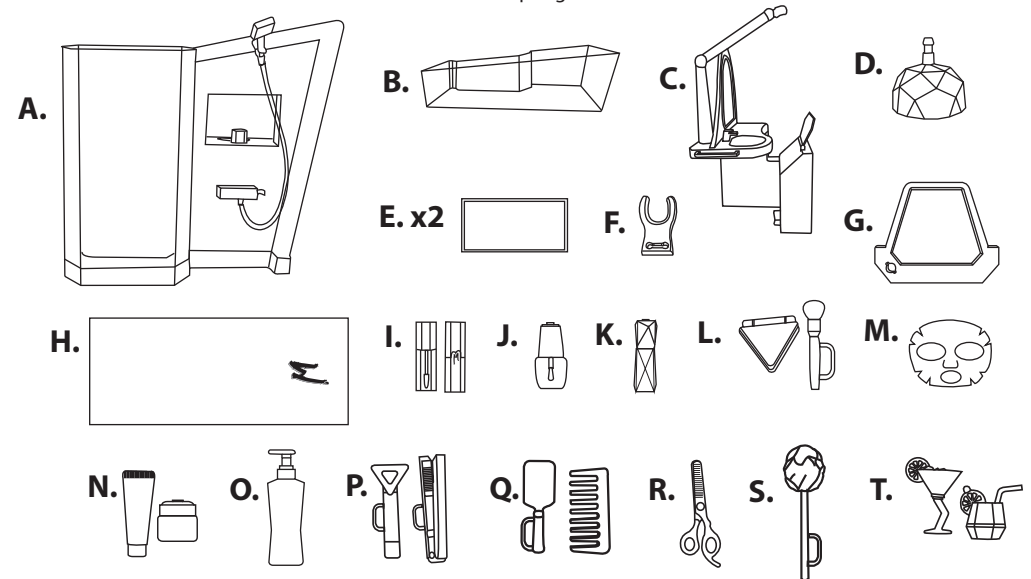


WARNING:
CHOKING HAZARD—Small parts.
Not for children under 3 years.

SKU: 585220
ADULT SUPERVISION REQUIRED
ADULT ASSEMBLY AND BATTERY INSTALLATION REQUIRED

CONTENTS

- A.** Salon **B.** Tub **C.** Hair Station **D.** Hair Dryer/Funnel **E.** 2 Shelves **F.** C-Clip **G.** Salon's Lid **H.** Towel
I. Lip Gloss and Lipstick **J.** Nail Polish **K.** Mascara **L.** Makeup Palette and Brush **M.** Face Mask
N. Cosmetic Bottle and Tube **O.** Hair Shampoo **P.** Hair Dryer and Flat Iron **Q.** Brush and Comb
R. Scissors **S.** Bath Sponge **T.** Smoothies



Scan for Assembly Videos & More:



Illustrations are for reference only. Styles may vary from actual contents. Please remove all packaging including tags, ties & tacking stitches before giving this product to a child.

WARNING

- Adult supervision is required when children are playing around water.
- Do not allow children to play with water near an electrical source or apparatus in order to avoid electric shock and/or electrocution.
- Do not leave items filled with water near electrical devices.

IMPORTANT INFORMATION

- Item set up and cleaning must be performed by an adult.
- Make sure to cover the play area before playing to prevent water damage.
- Doll is not included with this playset. Doll shown is only for demonstration.
- After 20 minutes of no activity, the unit will turn off. To turn back on, move the switch to the OFF position and then back to the ON position.
- To conserve battery power, always turn the unit off after playing.
- Keep water away from the battery compartment and the ON/OFF switch on the side of the playset.
- When replacing the battery compartment, always make sure the protective seal is secure on the battery compartment to prevent water from entering.
- Only fill the product with clean, clear water, as other liquids may damage the product.
- Only use a dry cloth to clean the product. Never use a corrosive or abrasive substance to clean the product.
- Do not pour warm or hot water.
- For correct assembly, follow these instructions. Please retain packaging and instruction manual for future reference.

Please keep this manual as it contains important information.



0522-0-E/INT
Printed in China

MGA Entertainment, Inc.
9220 Winnetka Ave. Chatsworth, CA 91311
U.S.A.
(800) 222-4685

MGA Entertainment UK Ltd.
50 Presley Way, Crownhill, Milton Keynes,
MK8 0ES, Bucks, UK
+ 0800 521 558

www.mermazemermaidz.com

©2022 MGA Entertainment, Inc.

MERMAZE MERMAIDZ™ is a trademark of MGA in the U.S. and other countries. All logos, names, characters, likenesses, images, slogans, and packaging appearance are the property of MGA.

The preferred method of contact for Customer Service is through our e-mail contact form at www.mgae.com

MGA Entertainment (Netherlands) B.V.
Baronie 68-70, 2404 XG Alphen a/d Rijn,
The Netherlands
Tel: +31 (0) 172 758038

Imported by MGA Entertainment Australia Pty Ltd.
Suite 2.02, 32 Delhi Road
Macquarie Park NSW 2113
1300 059 676

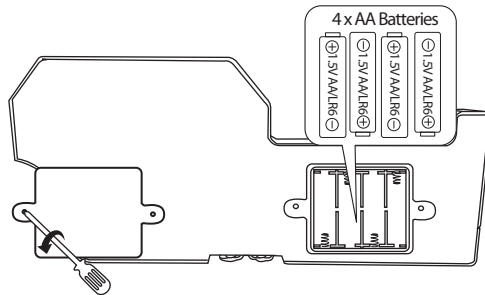
SAFE BATTERY USAGE

- Use alkaline batteries for best performance and longer life.
- Use only the battery type recommended for the unit.
- Batteries should be replaced only by an adult.
- Insert batteries with the correct polarity (+ and -).
- Do not mix old and new batteries.
- Do not mix alkaline, standard (carbon-zinc), or rechargeable batteries.
- Do not short-circuit batteries.
- When not used for an extended time, remove batteries to prevent possible leakage and damage to the unit.
- Do not mix rechargeable and non-rechargeable batteries.
- Rechargeable batteries are to be removed from the toy before charging.
- Rechargeable batteries are to be recharged only under adult supervision.
- Do not recharge non-rechargeable batteries.
- Exhausted batteries are to be removed from the toy.
- Do not dispose of batteries in fire as they may leak or explode.

BATTERY INSTALLATION

Before playing, an adult must install fresh alkaline batteries (not included) in the unit. Here's how:

1. Using a Phillips screwdriver (not included) remove the screws and battery compartment cover from under the salon.
2. Install four (4) 1.5V AA (LR6) alkaline batteries (not included) making sure the (+) and (-) ends face the proper direction as indicated inside the battery compartment.
3. Replace the compartment cover and tighten the screws.



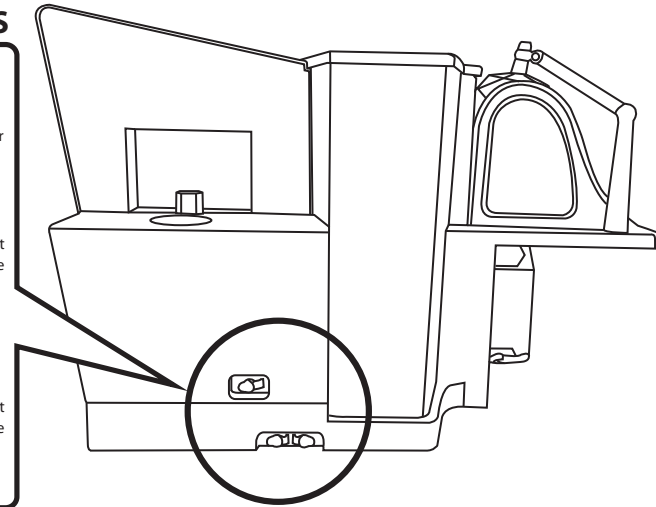
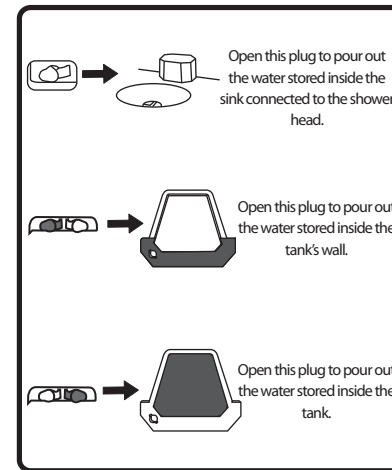
DRAINING THE WATER AND STORING

NOTE: Each water section has its own drainage plug on the back of the playset.

1. Before draining the water, make sure the ON/OFF switch is in the OFF position.
2. Over a sink, open the drain plug and pour out the water. Make sure all the water pours out before replacing the plug.
3. Pour out any water from the tub.
4. Allow the playset to thoroughly air dry before storing.

NOTE: If playing again, make sure the plugs are securely fastened before pouring water into the playset.

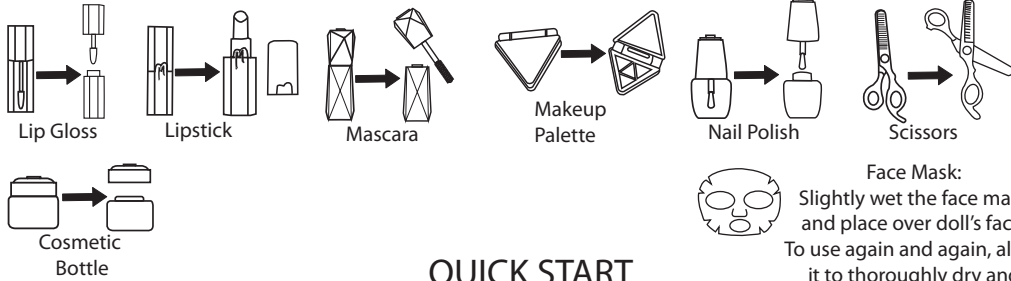
DRAINAGE PLUG'S SYMBOLS



'Let's care for the environment!'

The wheelie bin symbol indicates that the product must not be disposed of with other household waste. Please use designated collection points or recycling facilities when disposing of the item. Do not treat old batteries as household waste. Take them to a designated recycling facility.

ACCESSORIES



QUICK START

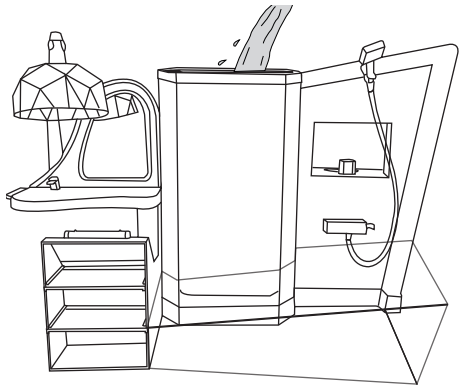
Before beginning, make sure to:

- Cover the play area to prevent water damage.
- Install the batteries.
- Secure the drainage plugs on the back of the playset.

Use your own Mermaze Mermaidz™ doll with the salon!
(DOLL NOT INCLUDED)

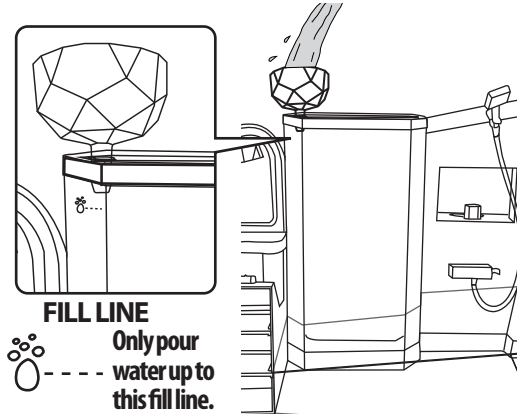
SALON TANK

- 1 Pour water into the tank. **Do NOT overfill the tank.**
TIP: You can use the tub to pour water into the tank!



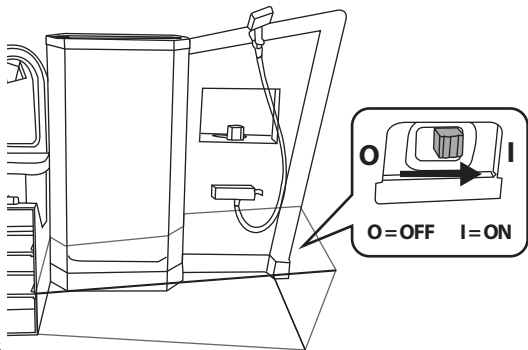
BUBBLE WALL

- 2 Insert the funnel into the opening on the lid and slowly pour water into it. **Do NOT pour water over the fill line.**

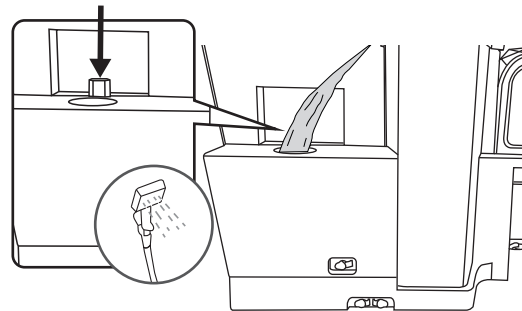


SHOWER

- 3 To turn on the bubbles and lights, move the switch on the side of the salon from the OFF position to the ON position. Always turn off after playing to conserve battery power.

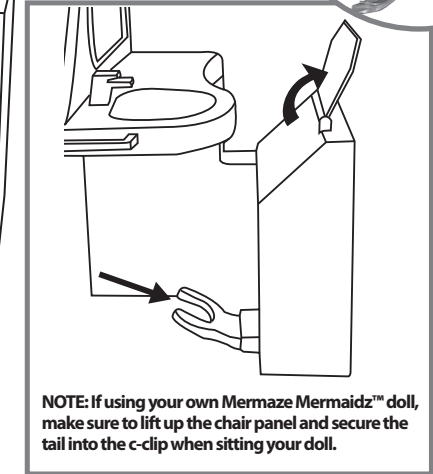
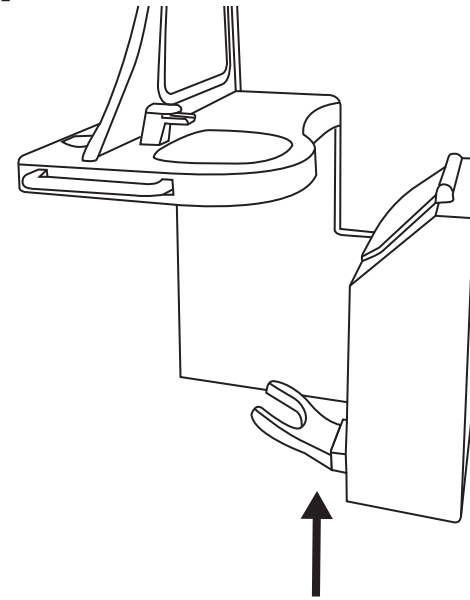


- 4 Turn over the playset and SLOWLY pour water into the sink. Allow the water to fully drain into the tank before adding more water. **Do NOT pour more water if the sink is full.** Press the button over the sink to watch water flow out of the shower head.

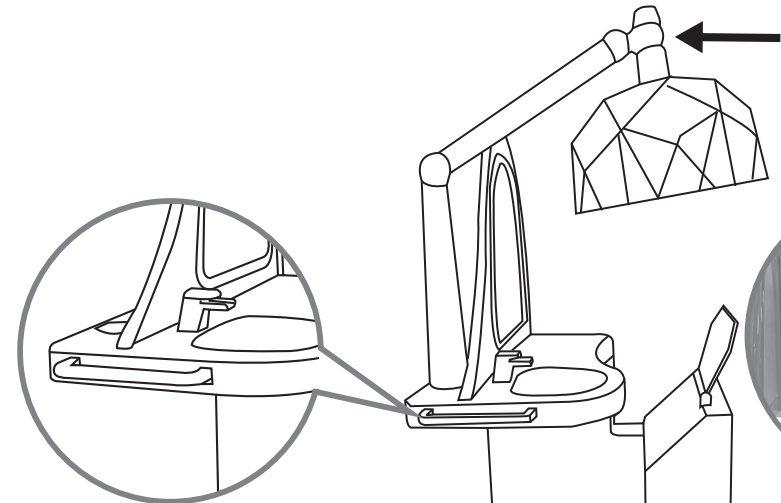


ASSEMBLY

- 1 Attach the c-clip to the bottom of the hair station.



- 2 Snap the hair dryer/funnel into the clip on the post.

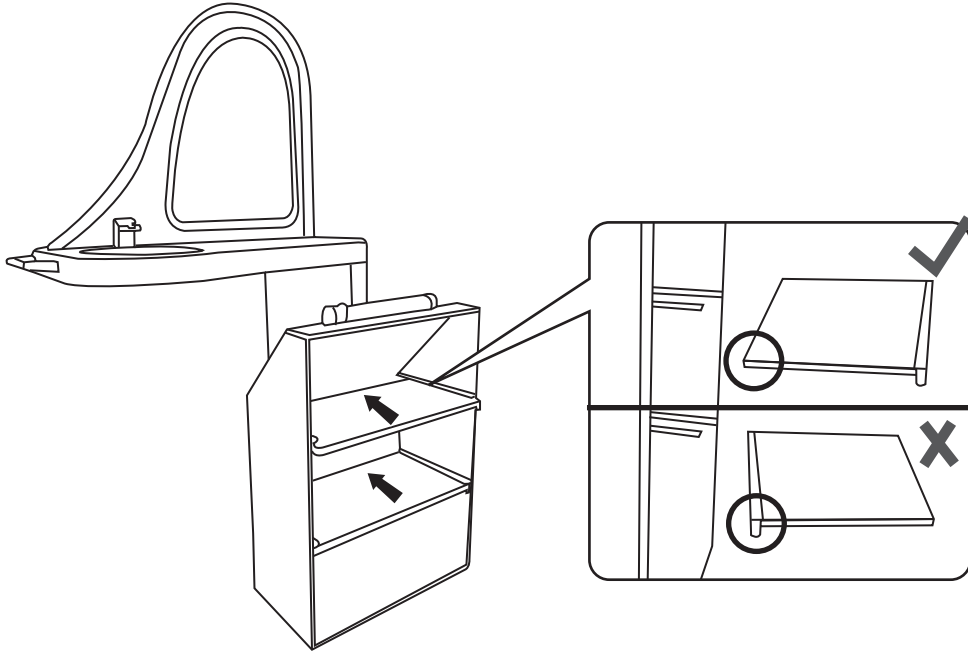


Hair dryer can be placed over your own doll's hair.

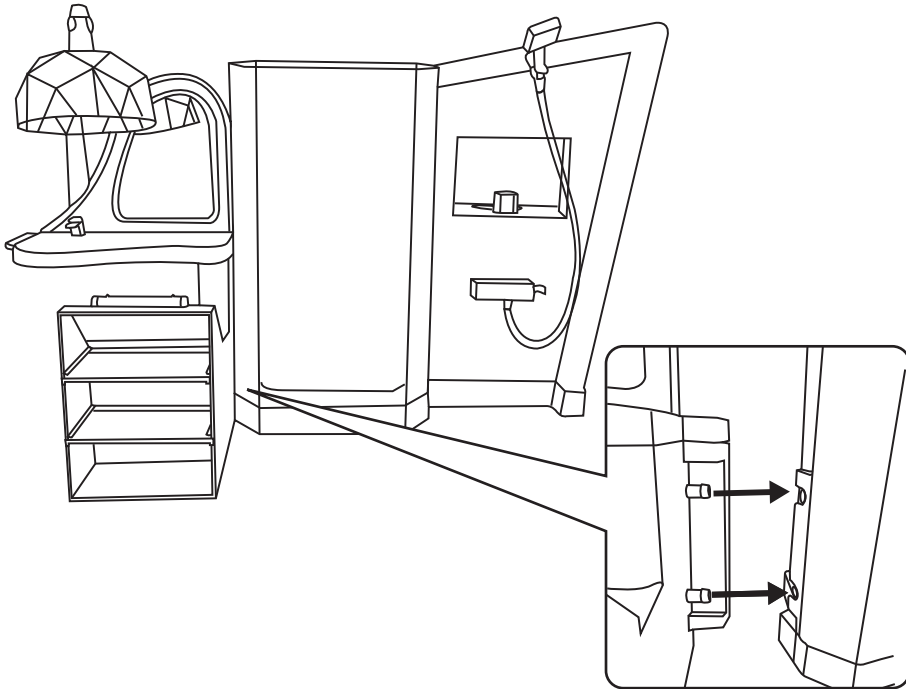


Store towel on the towel rack!

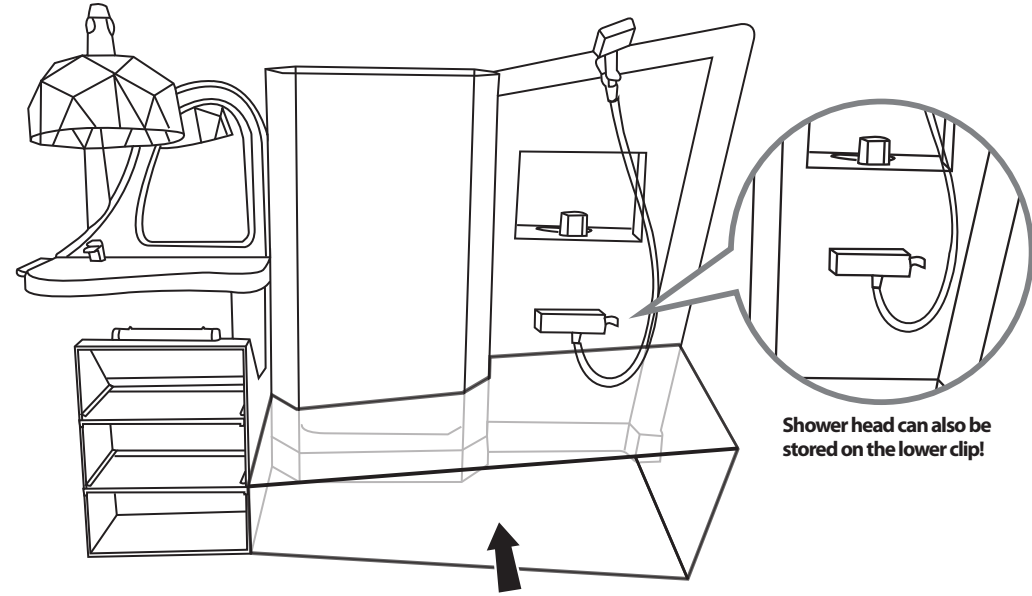
3 Insert the shelves into the back of the hair station. The shelves are designed to only fit in one way. When inserting, make sure the flat part of the shelves enters the slots first.



4 Snap the hair station into the side of the salon's tank.

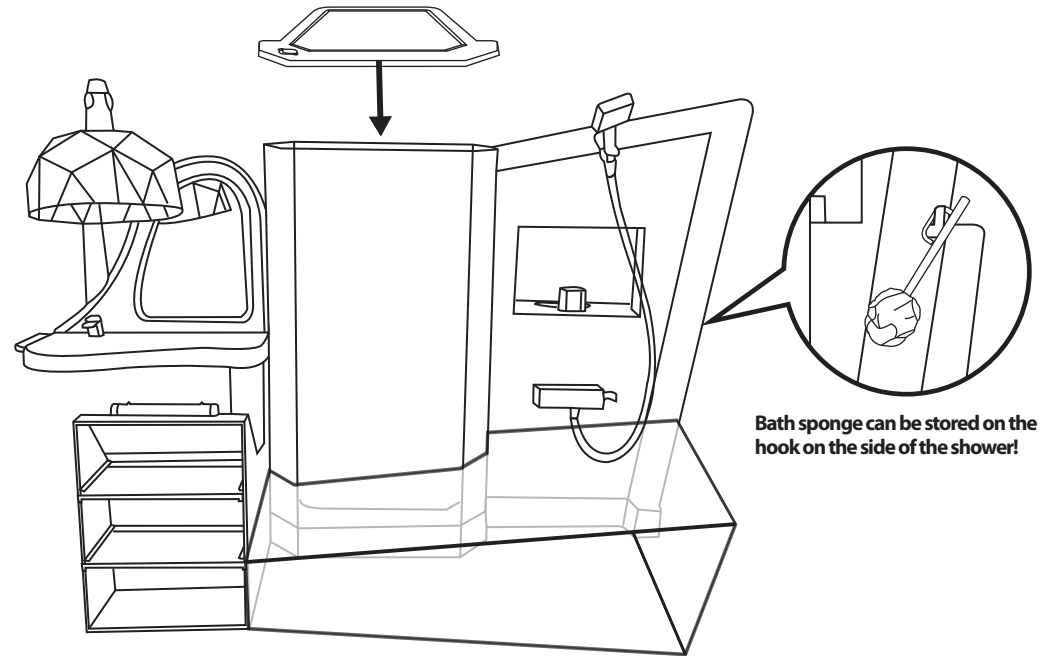


5 Place the tub in front of the salon.



Shower head can also be stored on the lower clip!

6 Securely place the lid over the salon's tank.



Bath sponge can be stored on the hook on the side of the shower!